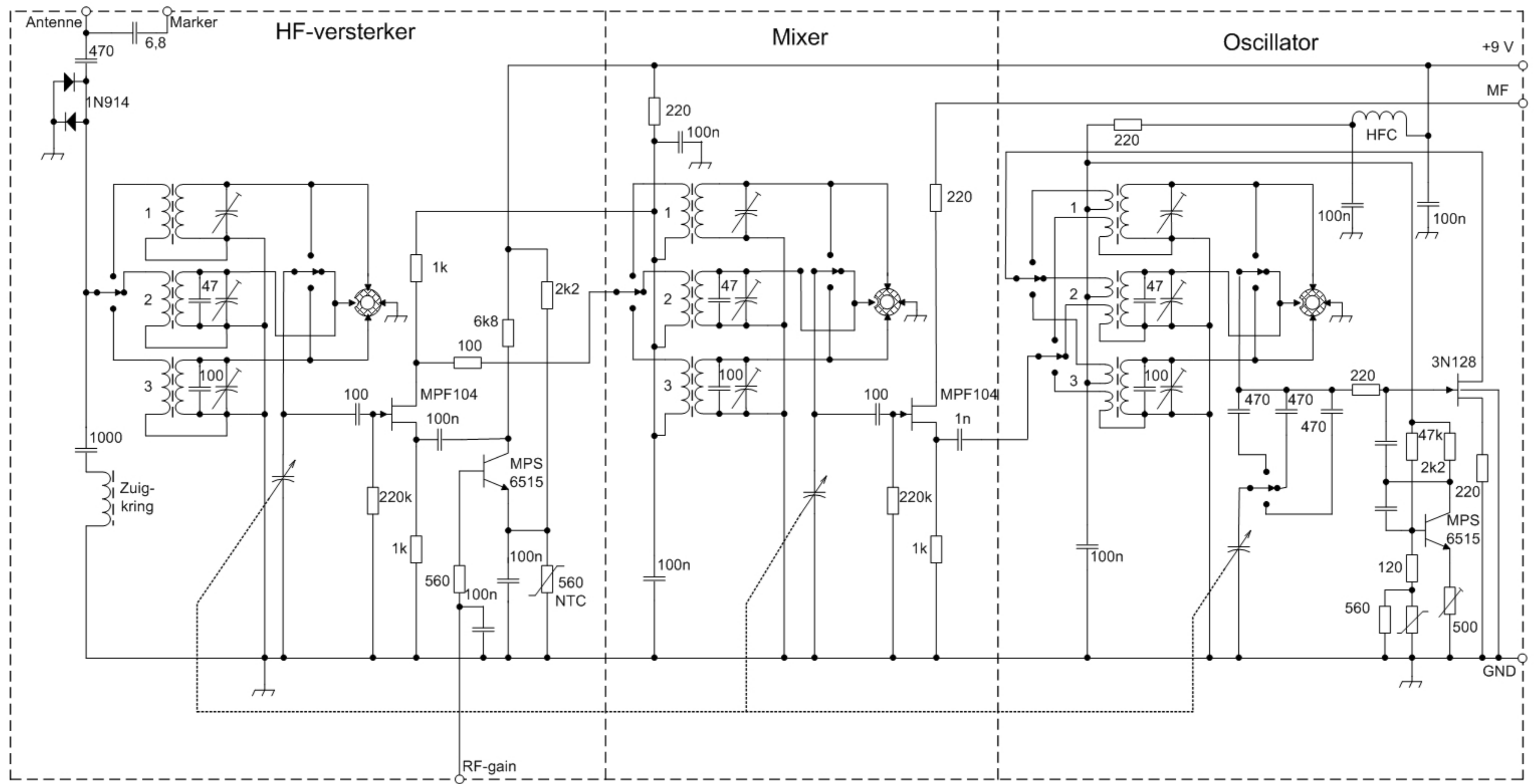
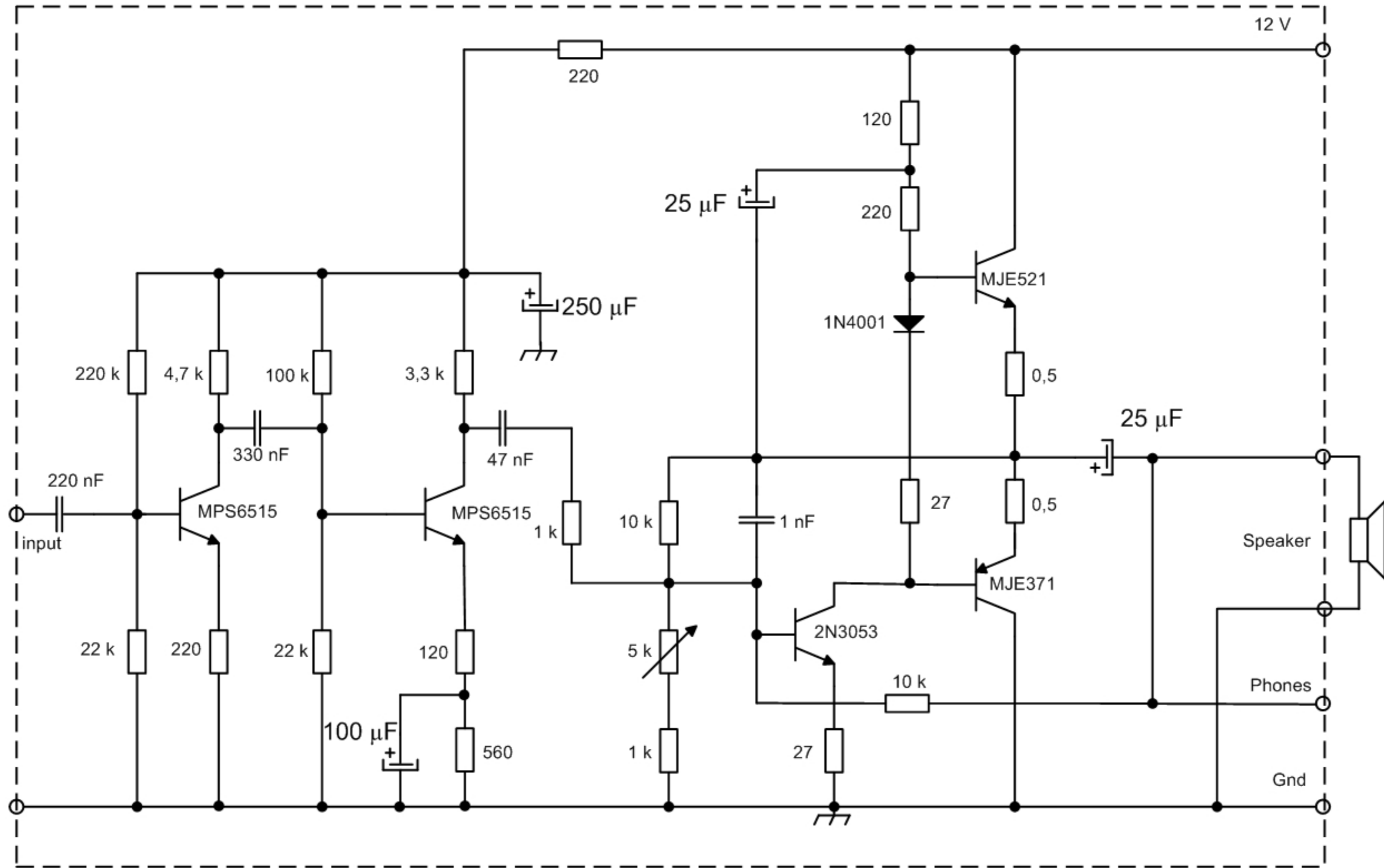


VARSLINGSMODTAGER HSGT M-4/FRM 2 Blokschema met interne verbindingen		
Jan Poortman PA3ESY	Date: 29-04-2021	Version: 001



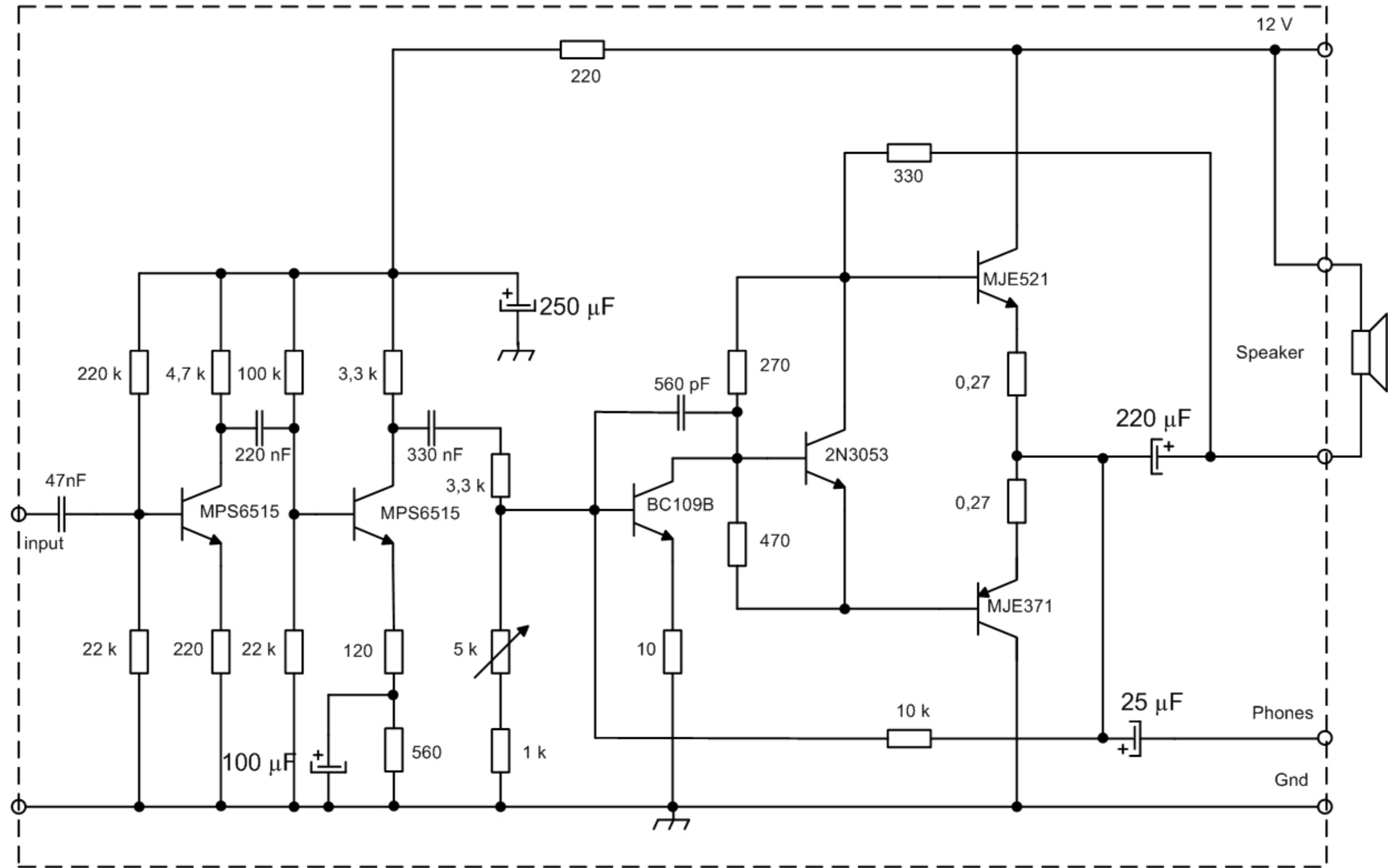
VARSLINGSMODTAGER HSGT M-4/FRM 2 HF-versterker-Mixer-Oscillator		
Jan Poortman PA3ESY	Date: 01-05-2021	Version: 001

Audio-amplifier



VARSLINGSMODTAGER HSGT M-4/FRM 2 Audio-amplifier Type 667		
Jan Poortman PA3ESY	Date: 25-04-2021	Version: 001

Audio-amplifier



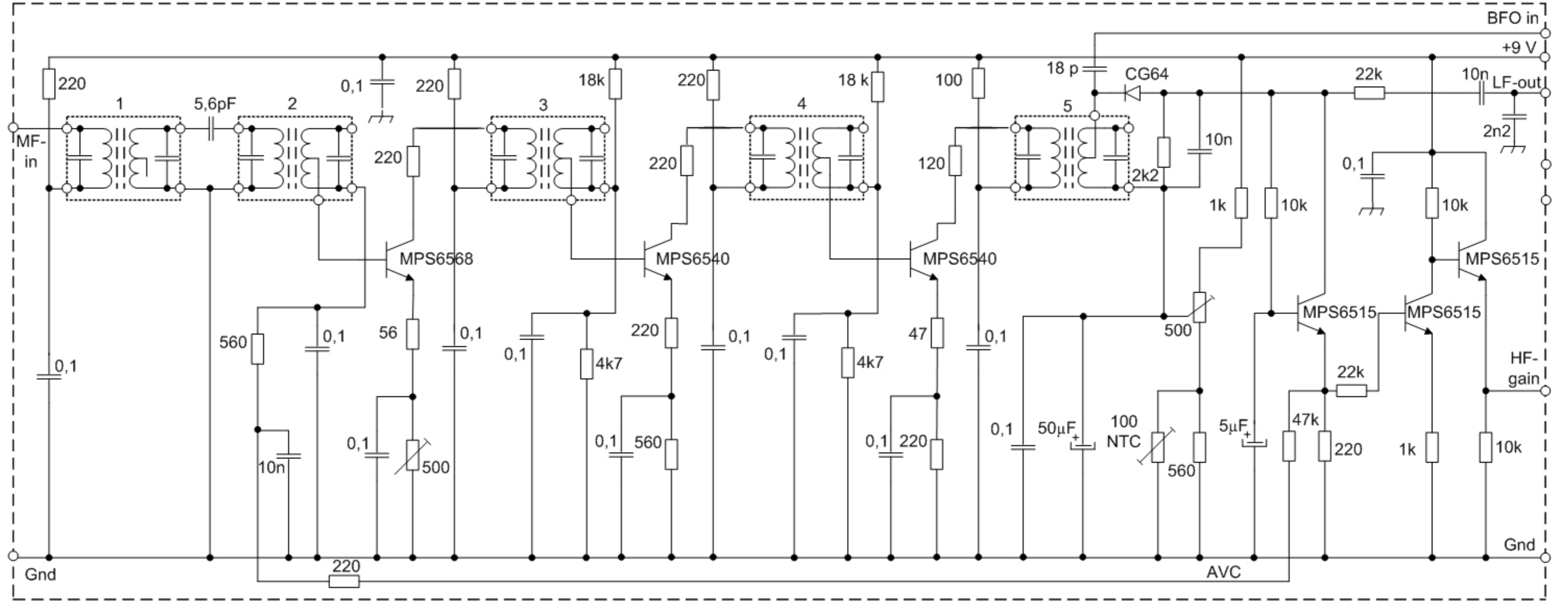
VARSLINGSMODTAGER HSGT M-4/FRM 2
Audio-amplifier Type 677

Jan Poortman
PA3ESY

Date: 25-04-2021

Version: 001

IF-amplifier, detector, AVC HF-gain control



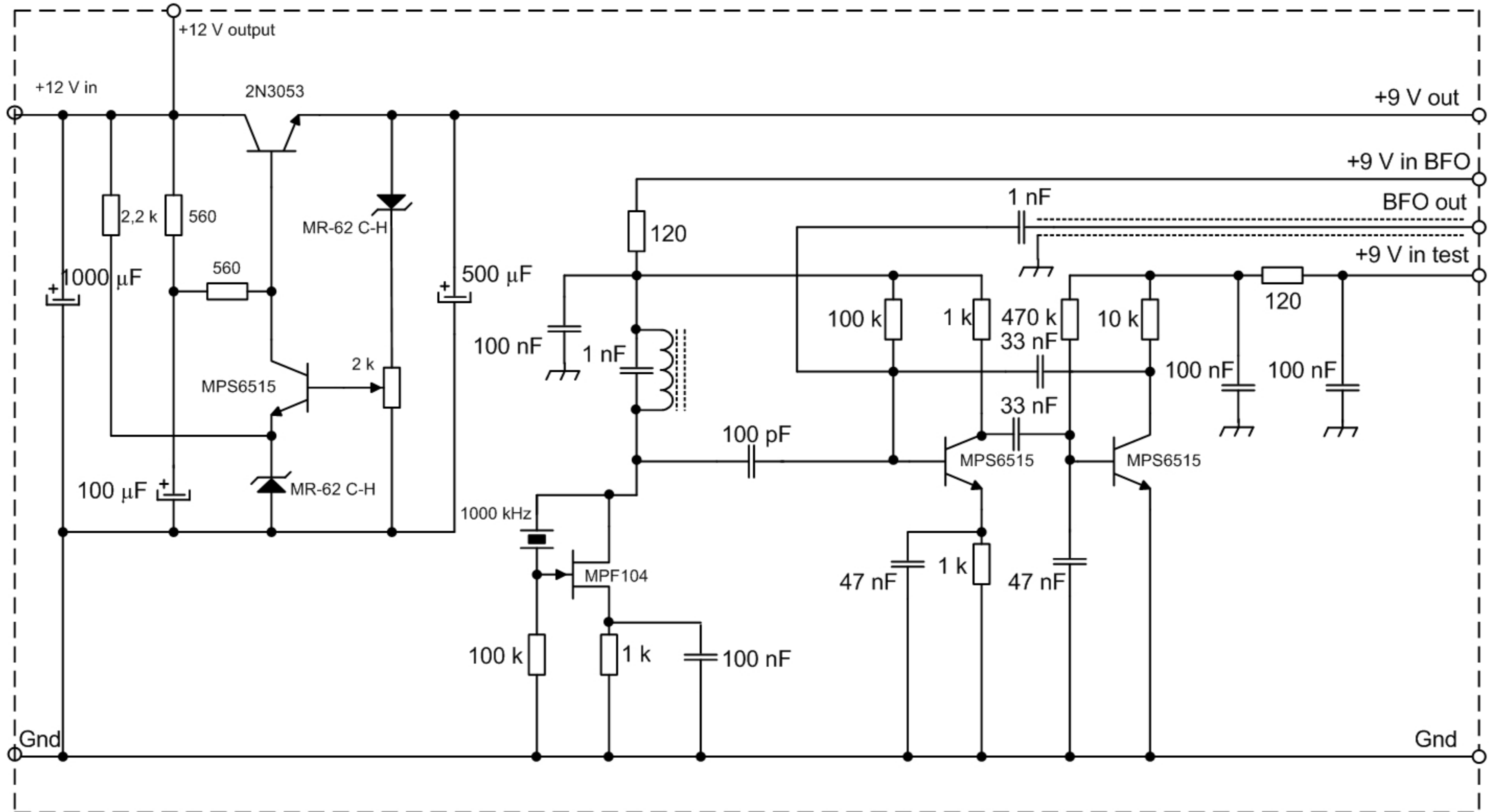
VARSLINGSMODTAGER HSGT M-4/FRM 2
IF-amplifier, detector, AVC HF-gain control MF680

Jan Poortman
PA3ESY

Date: 27-04-2021

Version: 001

Power Supply, BFO and Multivibrator

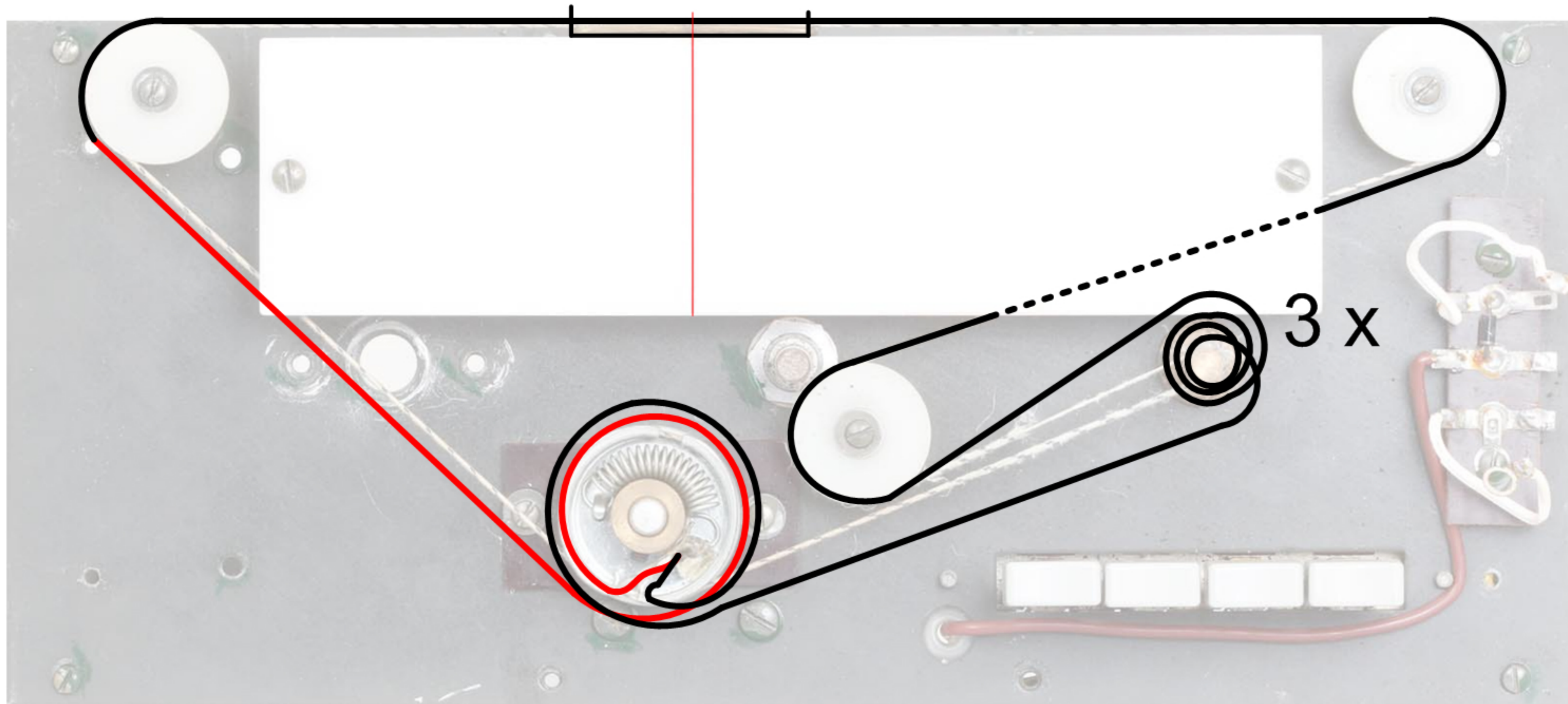


VARSLINGSMODTAGER HSGT M-4/FRM 2
Power-supply and BFO Type 667 and 677

Jan Poortman
PA3ESY

Date: 26-04-2021

Version: 001



VARSLINGSMODTAGER HSGT M-4/FRM 2 Snaarloop afstemming		
Jan Poortman PA3ESY	Date: 02-05-2021	Version: 001